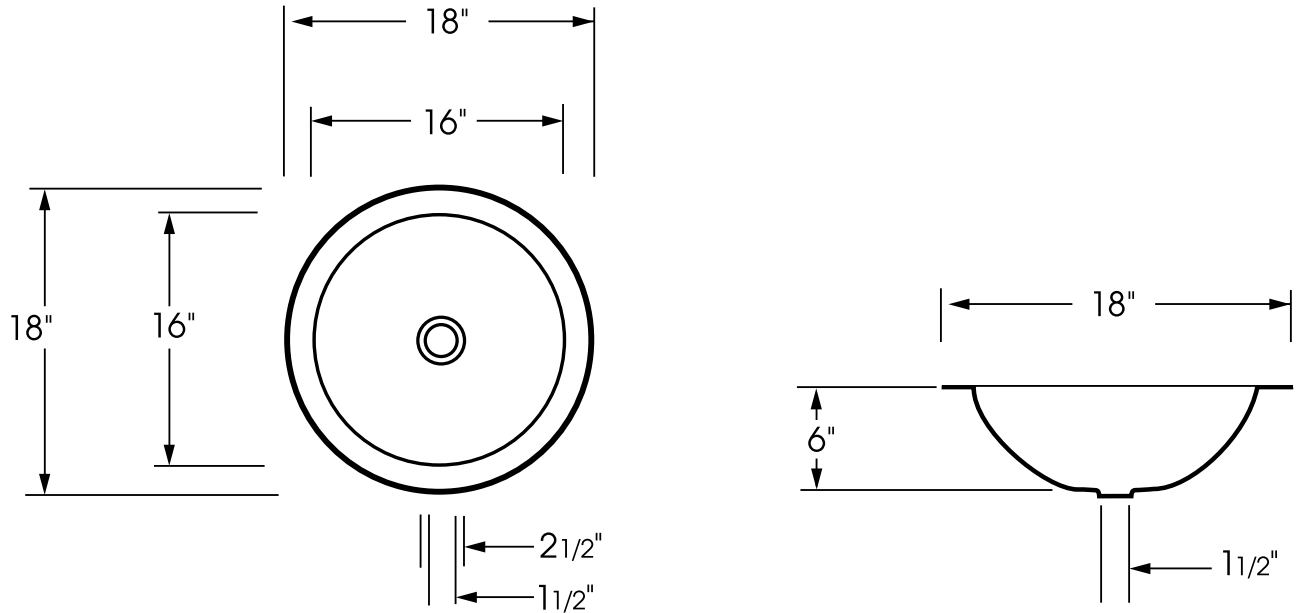


**ROUND  
IN STAINLESS STEEL**



**ROUND  
IN STAINLESS STEEL  
16 Gauge**

**DIMENSIONS**

Outside: 18" by 18"  
 Inside: 16" by 16"  
 Inside Depth: 6"

**IMPORTANT:**

We recommend you wait for basin before making your counter top cut-out. All dimensions are approximate.

**OPTIONS**

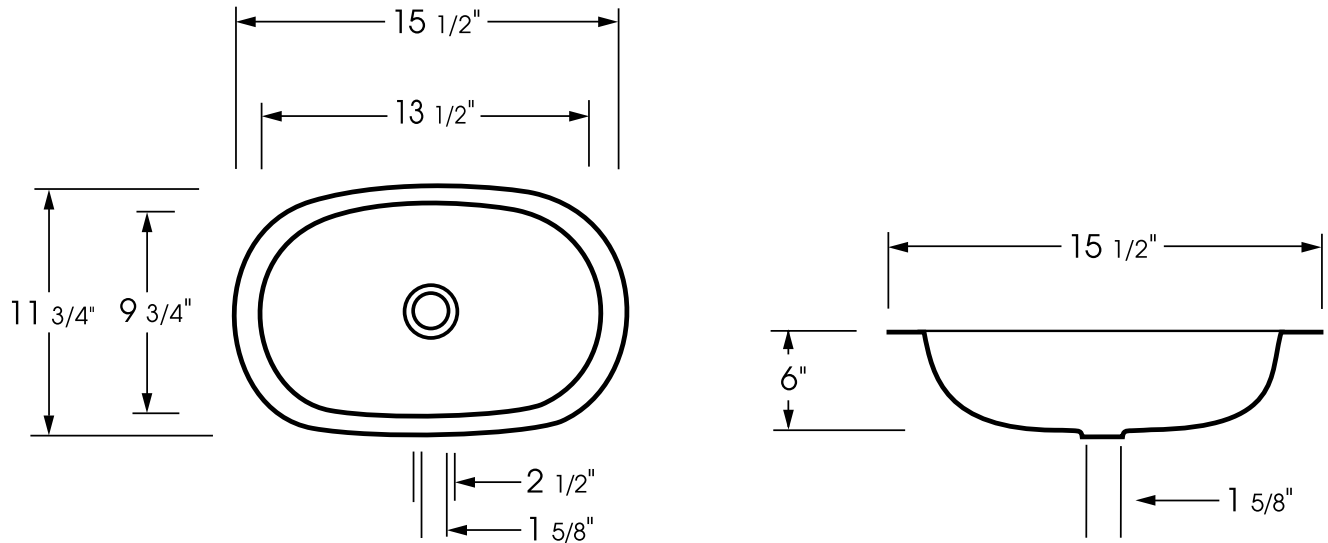
	Yes	No
Self-rimming	x	
Under Counter	x	
On Top of Counter	x	



AND BATES

[www.batesandbates.com](http://www.batesandbates.com)

**ROVAL  
IN STAINLESS STEEL**



**ROVAL  
IN STAINLESS STEEL  
16 Gauge**

**DIMENSIONS**

Outside: 11 3/4" by 15 1/2"

Inside: 9 3/4" by 13 1/2"

Inside Depth: 6"

**IMPORTANT:**

We recommend you wait for basin before making your counter top cut-out. All dimensions are approximate.

**OPTIONS**

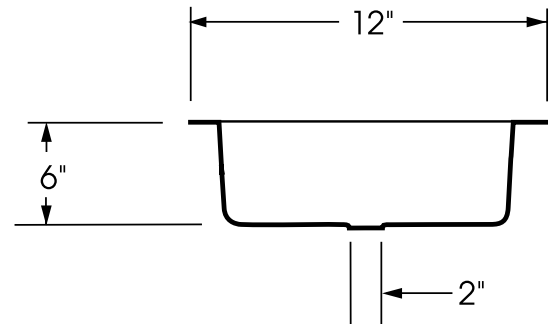
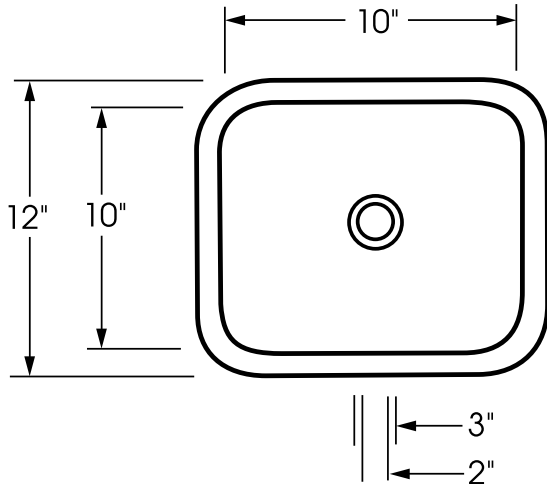
	Yes	No
Self-rimming	x	
Under Counter	x	



AND BATES

[www.batesandbates.com](http://www.batesandbates.com)

**SQUARE  
IN STAINLESS STEEL**



**SQUARE  
IN STAINLESS STEEL  
16 Gauge**

**DIMENSIONS**

Outside: 12" by 12"

Inside: 10" by 10"

Inside Depth: 6"

**IMPORTANT:**

We recommend you wait for basin before making your counter top cut-out. All dimensions are approximate.

**OPTIONS**

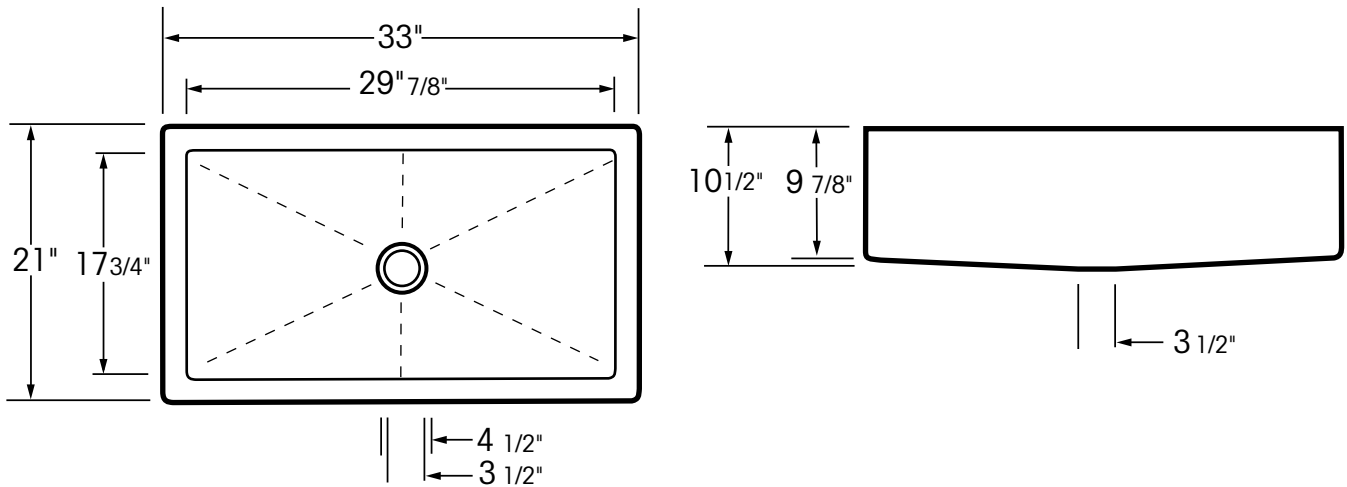
	Yes	No
Self-rimming	x	
Under Counter	x	



AND BATES

[www.batesandbates.com](http://www.batesandbates.com)

**FARMHOUSE  
IN STAINLESS STEEL  
OR OLD COPPER**



**FARMHOUSE  
IN STAINLESS STEEL  
OR OLD COPPER  
12 Gauge Stainless Steel  
1/8" Copper**

OPTIONS		
	Yes	No
Self-rimming	x	
Under Counter	x	

**DIMENSIONS:**

Outside: 21" by 33"  
 Inside: 17 3/4" by 29 7/8"  
 Inside Depth: 9 7/8"

**IMPORTANT:**

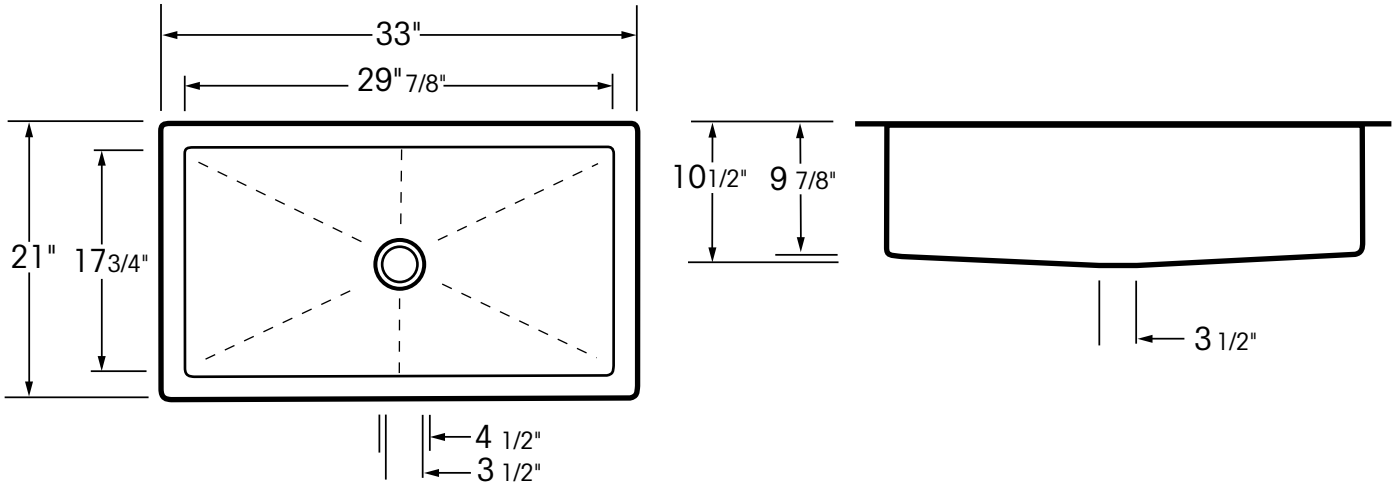
We recommend you wait for basin before making your counter top cut-out. All dimensions are approximate.



AND BATES

[www.batesandbates.com](http://www.batesandbates.com)

# LARGE RECTANGLE IN STAINLESS STEEL



## LARGE RECTANGLE IN STAINLESS STEEL 12 Gauge

### DIMENSIONS:

Outside: 21" by 33"  
 Inside: 17 3/4" by 29 7/8"  
 Inside Depth: 9 7/8"

### IMPORTANT:

We recommend you wait for  
 basin before making your  
 counter top cut-out. All  
 dimensions are approximate.

### OPTIONS

	Yes	No
Self-rimming	x	
Under Counter	x	

# BATES

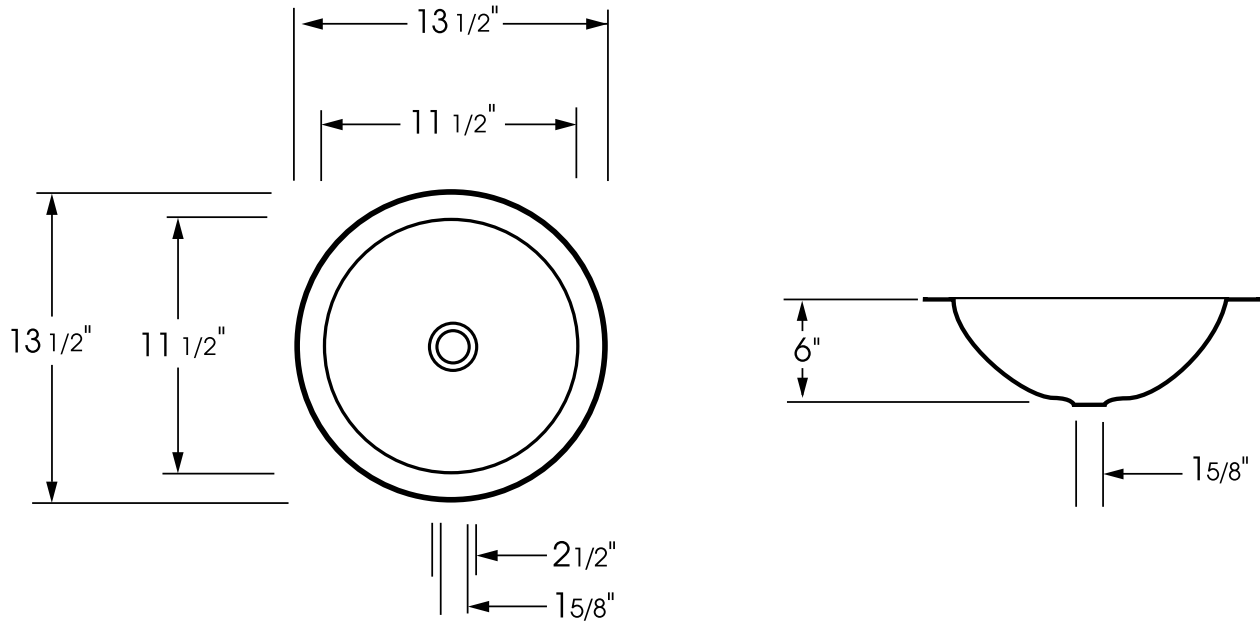
S5

AND BATES

[www.batesandbates.com](http://www.batesandbates.com)

7310 ALONDRA BLVD. • PARAMOUNT, CALIFORNIA 90723 • (562) 808-2290 • FAX (562) 808-2289 • (800) 726-7680

**SMALL ROUND  
IN STAINLESS STEEL**



**SMALL ROUND  
IN STAINLESS STEEL  
16 Gauge**

**DIMENSIONS:**

Outside: 13 1/2" by 13 1/2"

Inside: 11 1/2" by 11 1/2"

Inside Depth: 6"

**IMPORTANT:**

We recommend you wait for basin before making your counter top cut-out. All dimensions are approximate.

**OPTIONS**

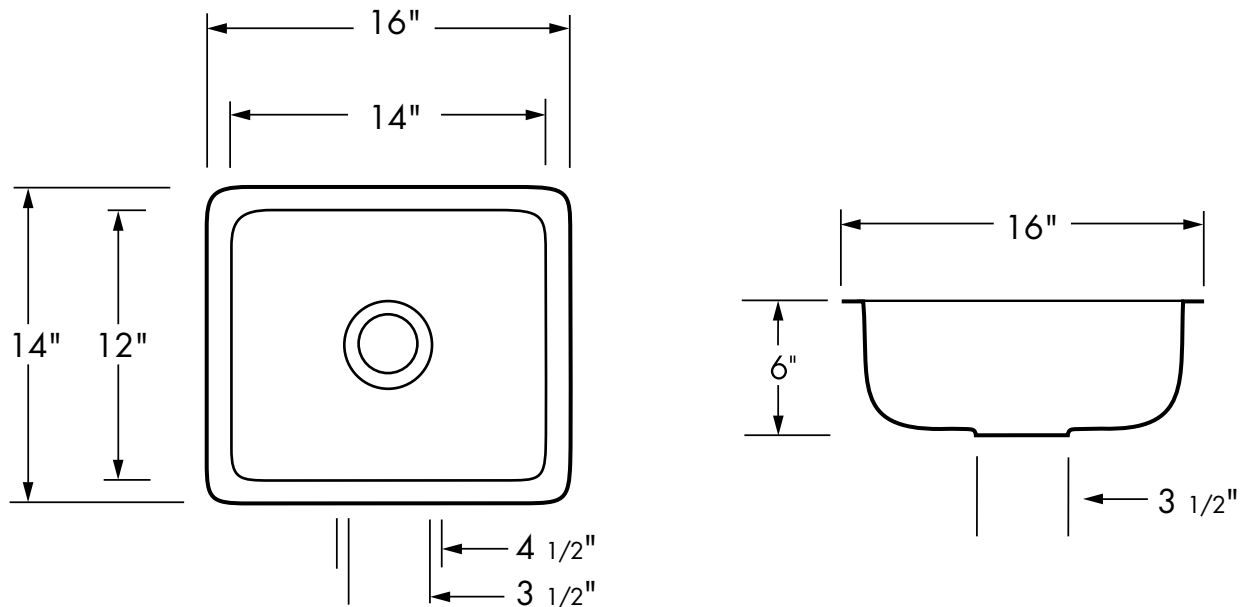
	Yes	No
Self-rimming	x	
Under Counter	x	



AND BATES

[www.batesandbates.com](http://www.batesandbates.com)

**S1214  
IN STAINLESS STEEL**



**S1214  
IN STAINLESS STEEL  
16 Gauge**

**DIMENSIONS:**

Outside: 16" by 14"

Inside: 14" by 12"

Inside Depth: 6"

**IMPORTANT:**

We recommend you wait for basin before making your counter top cut-out. All dimensions are approximate.

**OPTIONS**

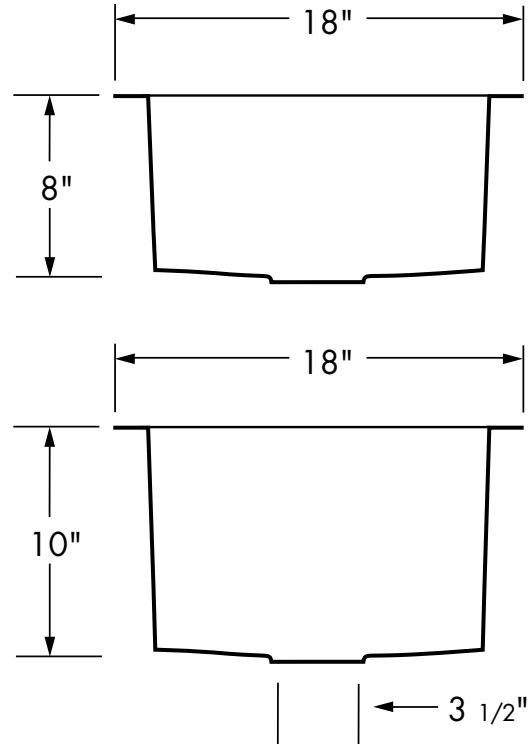
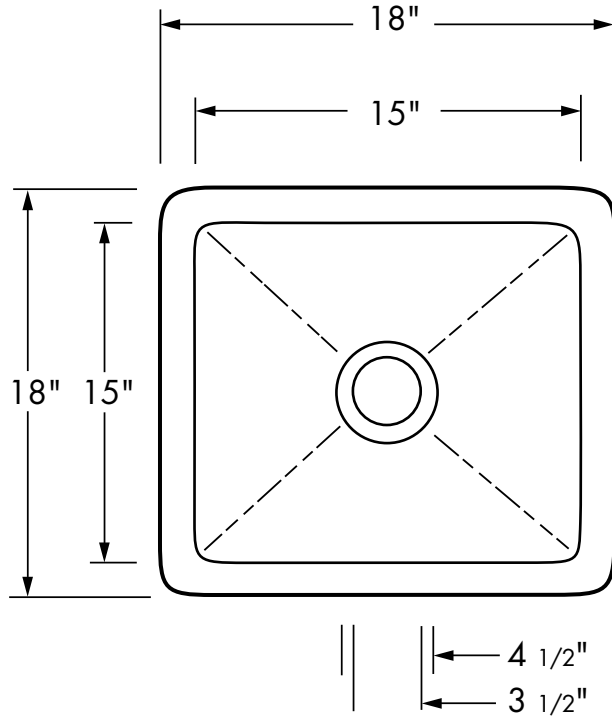
	Yes	No
Self-rimming	x	
Under Counter	x	



AND BATES

[www.batesandbates.com](http://www.batesandbates.com)

**S1515 LARGE SQUARE  
IN STAINLESS STEEL**



**S1515 LARGE SQUARE  
IN STAINLESS STEEL  
12 Gauge**

DIMENSIONS:  
Outside: 18" by 18"  
Inside: 15" by 15"  
Inside Depth: 8" or 10"  
12 Gauge

**IMPORTANT:**

We recommend you wait for basin before making your counter top cut-out. All dimensions are approximate.

OPTIONS

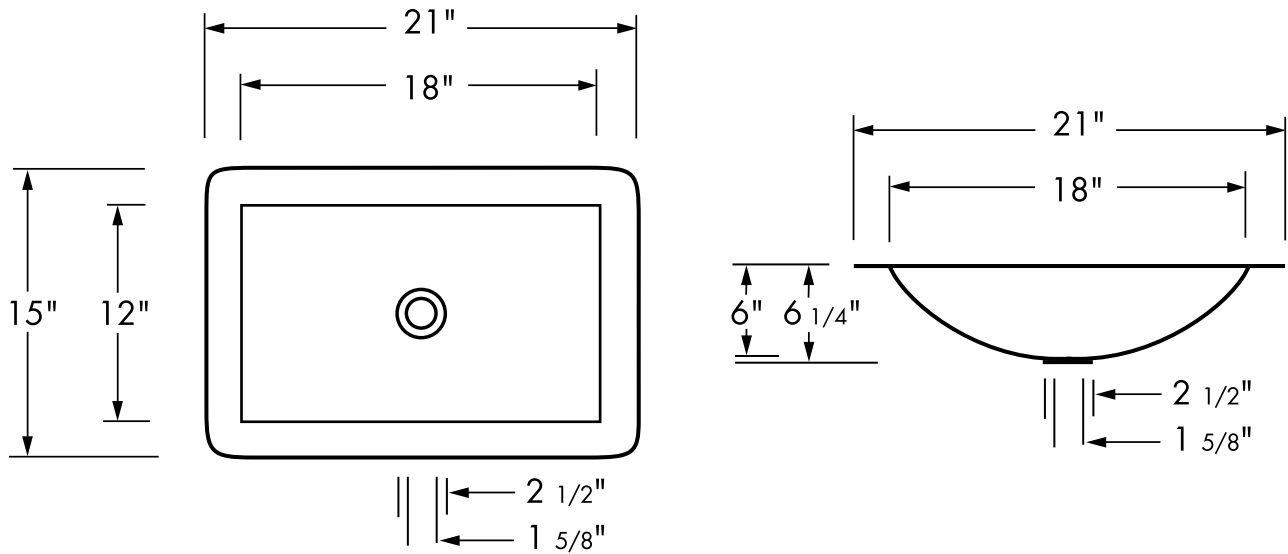
	Yes	No
Self-rimming	x	
Under Counter	x	



AND BATES

[www.batesandbates.com](http://www.batesandbates.com)

**S1218 WAVE  
IN STAINLESS STEEL**



**S1218 WAVE  
IN STAINLESS STEEL  
16 Gauge**

DIMENSIONS:  
Outside: 15" by 21"  
Inside: 12" by 18"  
Inside Depth: 6"  
16 Gauge

**IMPORTANT:**

We recommend you wait for basin before making your counter top cut-out. All dimensions are approximate.

	OPTIONS	
	Yes	No
Self-rimming	x	
Under Counter	x	



AND BATES

[www.batesandbates.com](http://www.batesandbates.com)