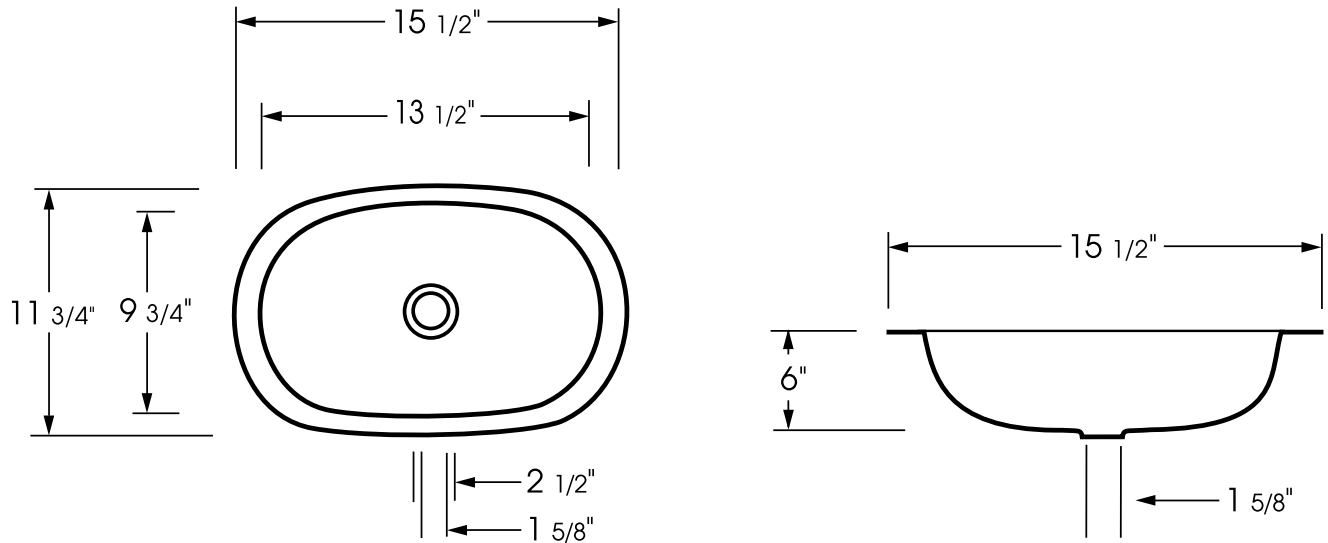


**ROVAL  
IN STAINLESS STEEL**



**ROVAL  
IN STAINLESS STEEL  
16 Gauge**

**DIMENSIONS**

Outside: 11 3/4" by 15 1/2"

Inside: 9 3/4" by 13 1/2"

Inside Depth: 6"

**IMPORTANT:**

We recommend you wait for basin before making your counter top cut-out. All dimensions are approximate.

**OPTIONS**

	Yes	No
Self-rimming	x	
Under Counter	x	



AND BATES

[www.batesandbates.com](http://www.batesandbates.com)